



8- 2010

16744 WEST PARK CIRCLE DRIVE
 CHAGRIN FALLS, OH. 44023
 PH (440) 543-2393 FAX (440)543-2397
www.qubeinc.com
steve@qubeinc.com

800 747 8381



COMPUTER ENCLOSURES

WIRELESS Router ENCLOSURES

- CN900** Nema 12 Computer & Monitor Console
- CN1200 & 1500** Nema 12 & Nema 4X Computer & Monitor Console
- CN650** Table Top Monitor & CPU Enclosure
- WALL MOUNT** Wall Mount computer enclosures
- CN450/490/500** CPU only Enclosure
- MONITOR ONLY** Monitor enclosures
- DVR Cabinet**
- Kiosk**

- 3
- 4
- 5
- 7
- 8
- 10
- 13
- 15





QUBE CORPORATION
16744 WEST PARK CIRCLE DRIVE
CHAGRIN FALLS, OH. 44023
PH (440) 543-2393 FAX (440)543-2397
www.qubeinc.com

Email: steve@qubeinc.com

STANDARD TERMS

VERBAL ORDERS ARE NOT ACCEPTED : Because of the number of sizes and details involved, we require that all orders be confirmed in writing prior to manufacture. This is typically done via FAX OR EMAIL

CREDIT TERMS Qube's terms are **2% 10 Net 30** Credit must be established prior to shipment, and prior to programming of custom and dimensionally changed product. We also accept **Master Card , Visa, and American Express**

FREIGHT CHARGES : are prepaid and added on most shipments. Customer specified carriers may be shipped collect.

UPS SHIPMENTS: Please be aware that Qube will ship certain sizes UPS based on customer request and cost. In many cases, UPS adds a **DIMENSIONAL WEIGHT** charge in excess of normal zone / weight costs. These costs are added to the shipment freight charges.

OVERNIGHT AIR: **All expedited shipments require a third party billing (such as customers UPS or Federal Express number)**. UPS has certain dimensional limits, FED EX will accept larger freight. For certain large enclosures, overnight air is not available. All expedited freight requires a written authorization from the customer.

FREIGHT DAMAGE : Unfortunately, freight damage is common in the shipment of enclosures. Qube makes every attempt to package its products accordingly.. **PLEASE INSPECT FREIGHT PRIOR TO ACCEPTING** .If concealed damage occurs, please retain the damaged product, and notify Qube for instruction. Often a lid or other part can simply be replaced.

LEAD TIMES: **QUBE DOES NOT STOCK ANY PRODUCT**. Our manufacturing process allows dimensional changes and the ability to manufacture enclosure sizes not commonly available. Most HC,SC,and TR products ship in 5 *working* days or less. Large cabinets generally ship in 15 *working* days or less. CN computer enclosures generally ship in 5-7 working days. Most initial custom orders are shipped in 20 *working* days or less.

PRODUCT RETURNS : Custom and dimensionally changed products **may not** be returned. Standard products may be returned as in salable condition. and the return request is made within 30 days of product shipment. On multiple unit custom orders we recommend that 1 unit be produced prior to manufacturing the entire order.

COUNTRY OF ORIGIN : All Qube products are produced in Chagrin Falls OH, USA

LIMITED WARRANTY

Qube Corporation warrants product to be manufactured as specified, and free from defects in material and workmanship. No representation or other affirmation of facts, including but not limited to statements regarding capacity, suitability for use or performance, shall be deemed to be a warranty or representation of Qube Corporation for any purpose.

MADE IN THE USA



Wireless Router Enclosures

Qube wireless router enclosures are constructed out of plastic, so the antenna can be located inside without interference.

Product can be hinged or locking flat flush cover.

We have made multiple router units with ventilation fans, and single units with vent slots.

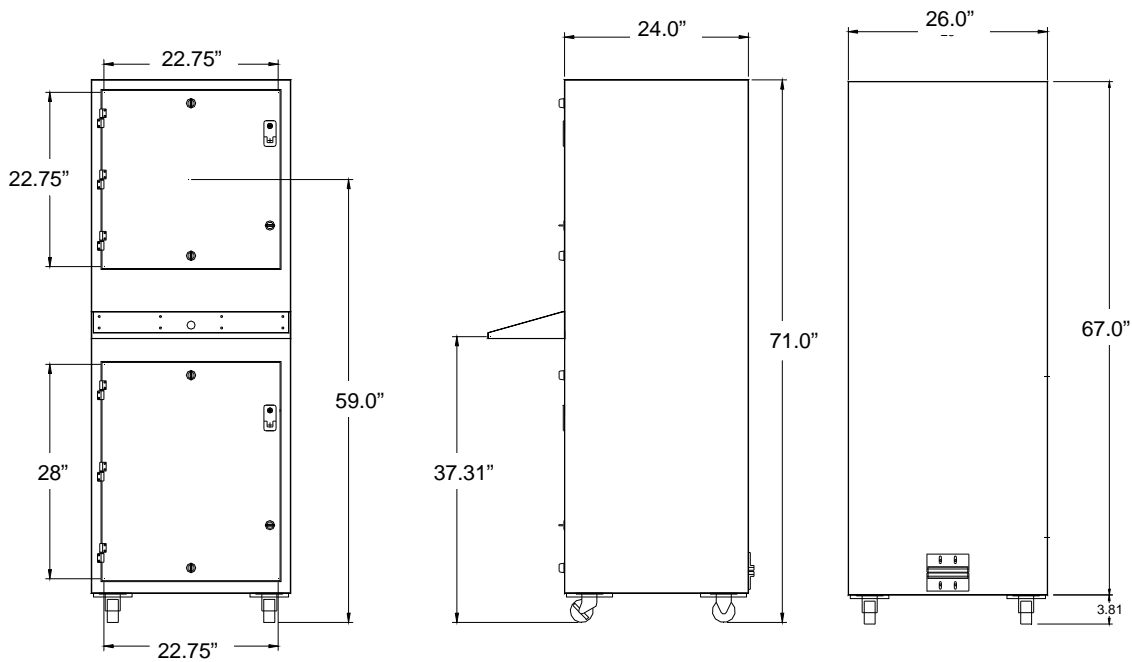


CN900



Computer console which provides **Nema 12** protection with an **EXTERNAL** Keyboard tray. A CN-FAN (235 cfm Fan) and filter kit is optional. Unit comes with either skid plates or casters , PLEASE SPECIFY when ordering.

Unit is standard in **BLACK** ABS. Material options are Light Gray and White ABS, Dark Gray PVC, White HDPE



ITEM #	COLOR / MATERIAL
CN900-503	GRAY ABS
CN900-502	BLACK ABS
CN900-501	WHITE ABS
CN900-101	DARK GRAY PVC
CN900-401	WHITE SMOOTH / SMOOTH HDPE
CN-FAN	235 CFM FAN FILTER SET





CN1200

Console which provides Nema 12 protection with an **Internal Locking Pull-Out** Keyboard tray. A CN-FAN (235 cfm Fan) and filter kit is optional. Unit comes with either skid plates or casters , PLEASE SPECIFY when ordering.

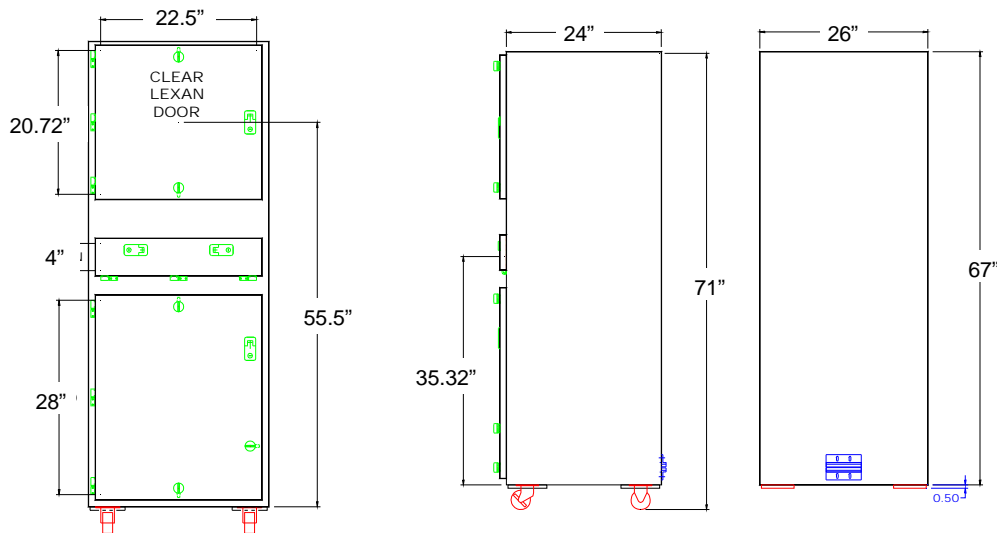
Unit is standard in Black ABS . Material options are Light Gray ABS and White ABS, Dark Gray PVC, White HDPE

CN1500

Console which provides **Nema 4X** protection with an Internal Locking Pull-Out Keyboard tray. All doors and panels have gutters and cam action compression locks.

Unit is standard in Black ABS. Material options are Light Gray and White ABS, Dark Gray PVC, White HDPE

Same dimensions as CN1200



ITEM #	COLOR / MATERIAL
CN1200-503	GRAY ABS
CN1200-502	BLACK ABS
CN1200-501	WHITE ABS
CN1200-101	DARK GRAY PVC
CN1200-401	WHITE SMOOTH / SMOOTH HDPE
CN-FAN	235 CFM FAN FILTER SET

CUSTOMIZED COMPUTER CONSOLES



Sloped front computer console, with replaceable gasketed window



Narrow profile Computer console



Sloped front computer console, with replaceable casketed window. A 4X bar code printer enclosure is integrated into the top.



Warehouse console that houses a computer, monitor, and multiple printers



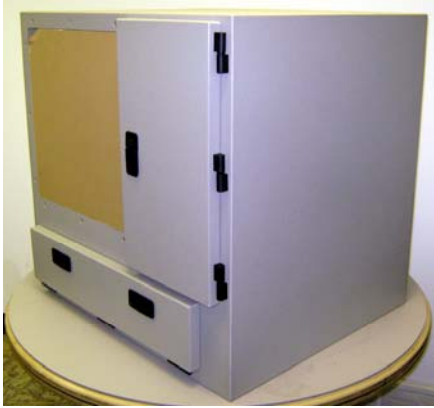
Computer Consoles with top mounted small thermal printers.



Custom double monitor computer console



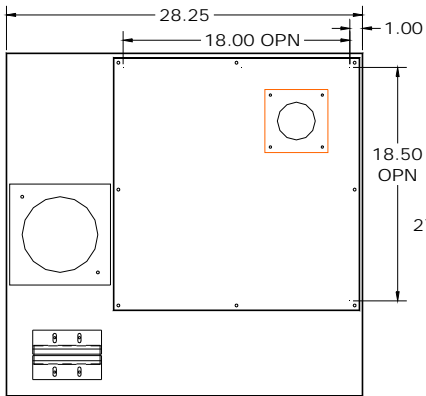
Computer console with table top and drawer



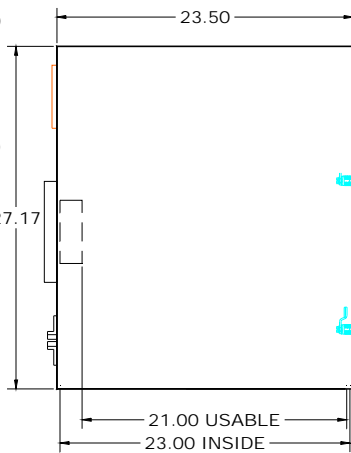
CN650

4X Table or bench top computer/monitor enclosure with pull out keyboard tray.

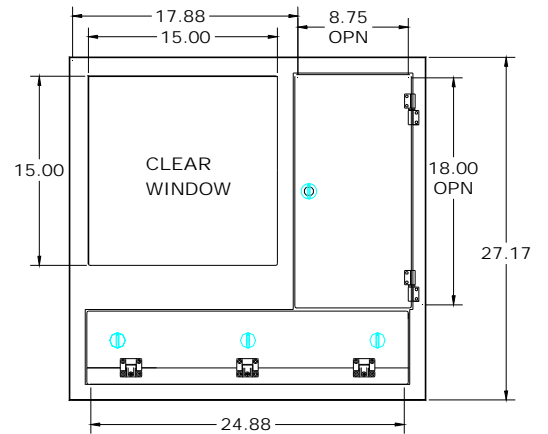
The product is standard in Black ABS plastic, optional materials include PVC, Light gray ABS, and HDPE.



REAR VIEW



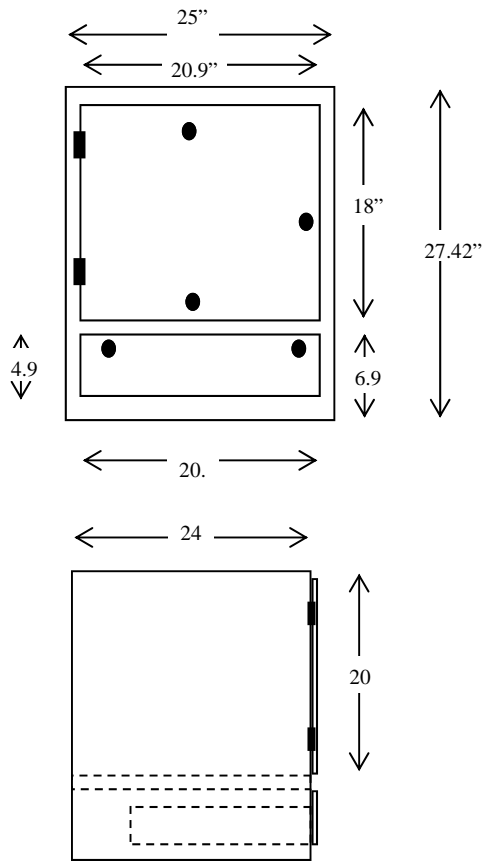
SIDE VIEW



FRONT VIEW

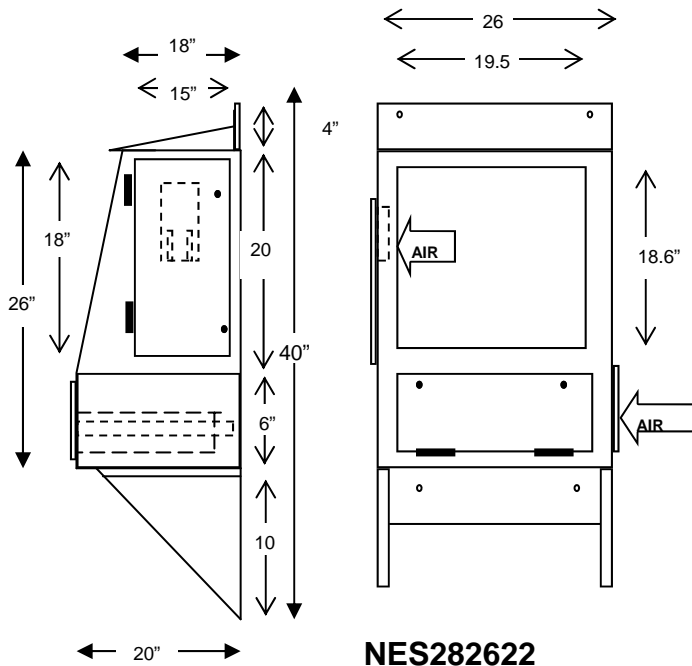


WALL MOUNT COMPUTER ENCLOSURES



WLF282524

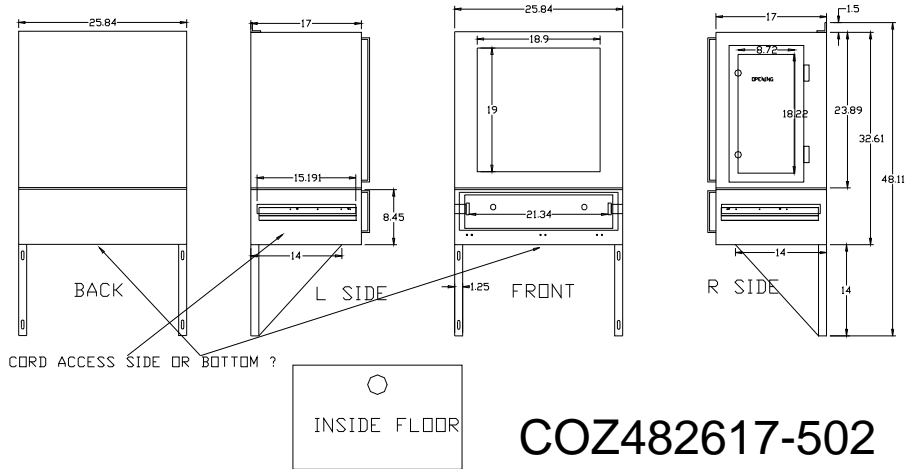
Unit can be tabletop or wall mounted with brackets. Design is 4X, gasketed doors, with pull out keyboard drawer



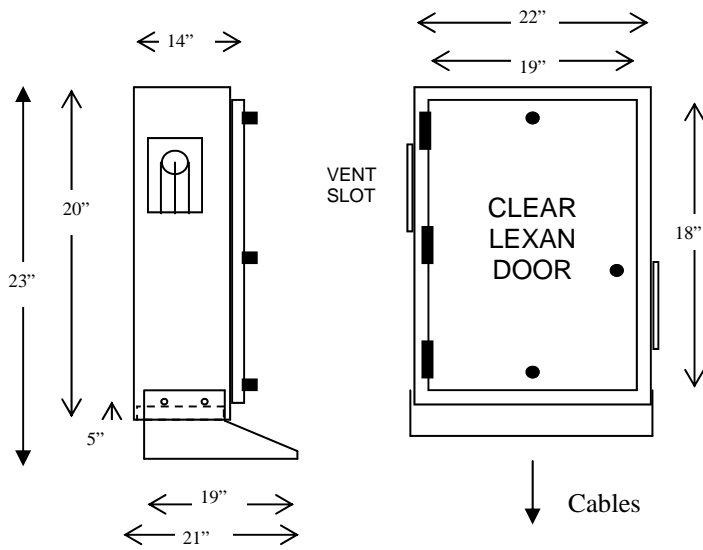
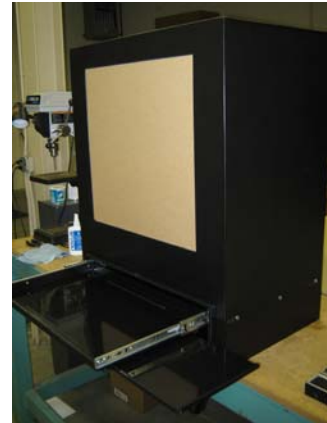
NES282622



Wall unit shown mounted on bottom cabinet, in non standard blue ABS



COZ482617-502



NES212214-502



Shown in non standard blue



CN 450, 490, 500

Nema 12 CPU only enclosure. A Nema 4X version for washdown is available as a CN550. Flush locking door is Clear Lexan Polycarbonate

Unit is standard in Black ABS. White and Light Gray ABS is optional

A 100 CFM Fan (CNFAN-100 is optional)

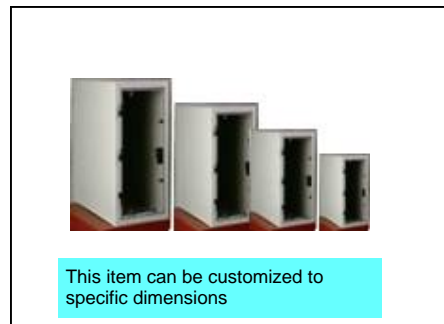
4X for washdown

Nema 4X model. Same dimensions, only with a gutter style door with compression hardware, and no fan option.

CUSTOM SIZES

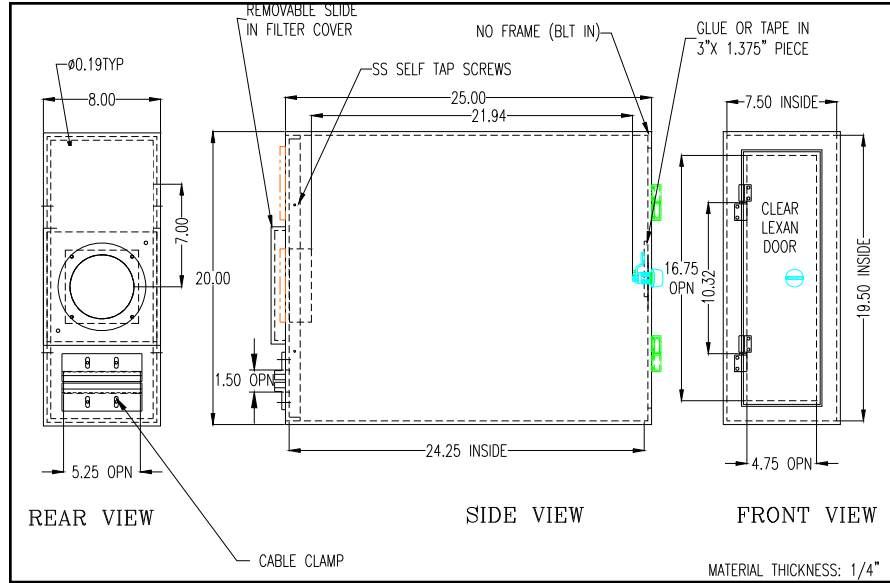
Qube can modify the dimensions of CPU enclosures

Part #	COLOR	Overall Dimensions			Fits CPU Up To		
		H	W	D	H	W	D
CN450 - 502	BLACK	20"	8"	23"	16"	4"	19"
CN490 - 502	BLACK	21.5"	12.5"	23"	17"	8.5"	19"
CN500 - 502	BLACK	27.5"	14"	26"	23"	10"	22"

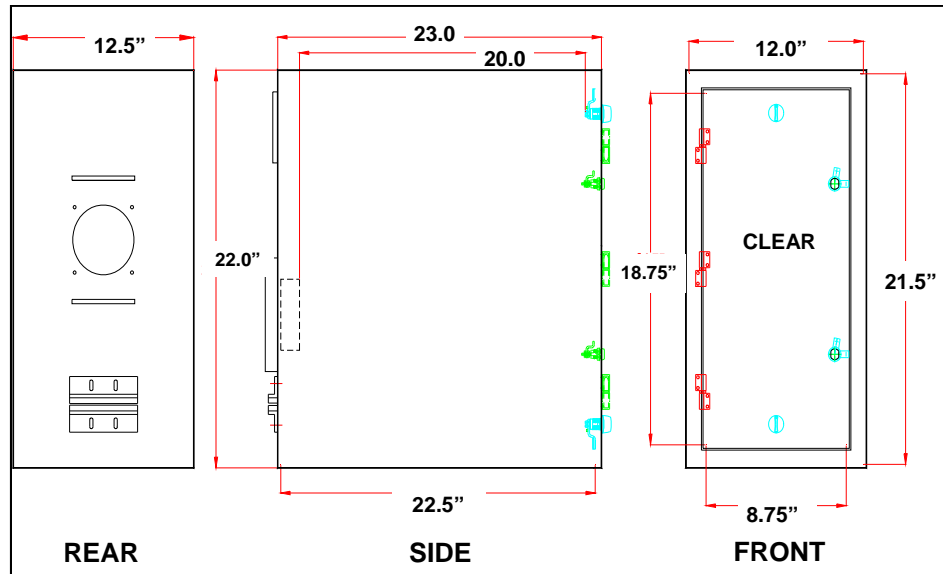


This item can be customized to specific dimensions

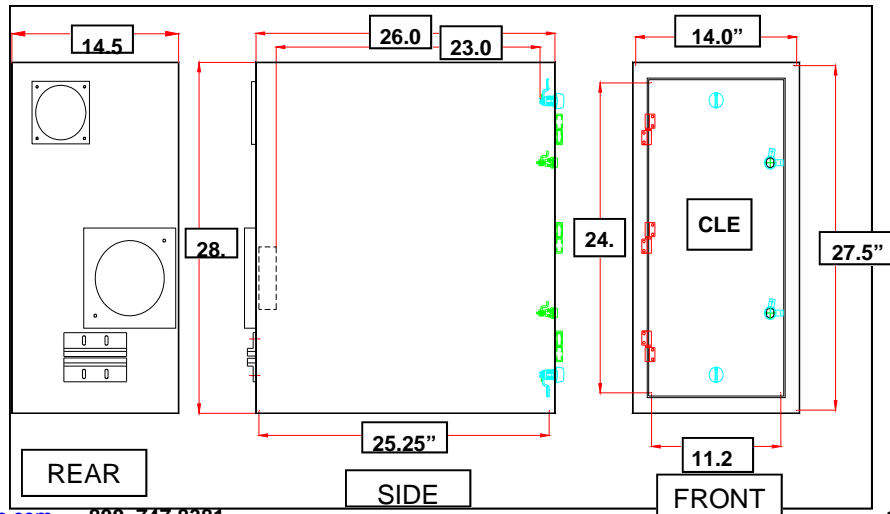
CN450



CN490



CN500



MULTIPLE CPU ENCLOSURES

SERVER ENCLOSURES



Custom multiple CPU enclosures

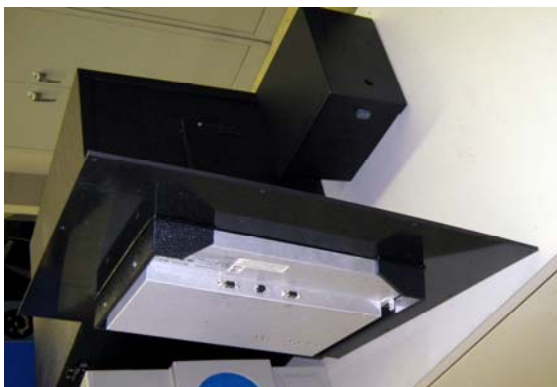


Server enclosures, floor mount with casters shown



MONITOR ENCLOSURES

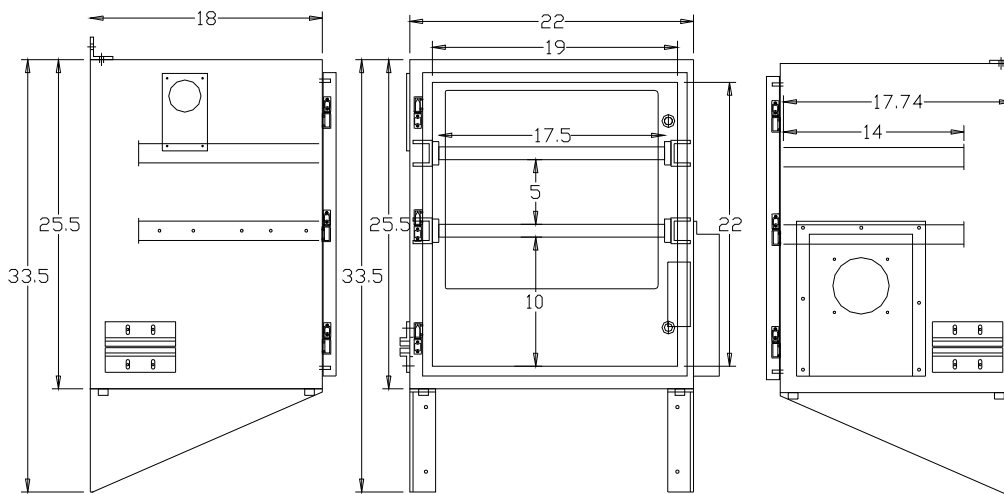
Qube monitor enclosures are manufactured to specific monitor size. They can be wall mounted or made to sit on tabletops.



DVR ENCLOSURES

DVR cabinets protect recorders in dusty or washdown environments. Design includes smoked plexi-glass front and security locks.

Product can be configured and dimensioned for specific needs. Product shown is wall mounted, with removable wall brackets.



PGA222218-502

KIOSK ENCLOSURES

Custom designed kiosk enclosures for interactive applications and industrial touch screen installations. All kiosk projects are based on customer specific hardware. Qube only manufactures enclosures for these applications. We can customize the enclosure based on the equipment being integrated,

Our advantage is that our process allows quick development in small quantities.

