



16744 WEST PARK CIRCLE DRIVE  
CHAGRIN FALLS, OH. 44023  
PH ( 440 ) 543-2393 FAX ( 440 ) 543-2397  
[www.qubeinc.com](http://www.qubeinc.com)  
steve@qubeinc.com

**800 747 8381**

## Computer Enclosures





16744 WEST PARK CIRCLE DRIVE  
CHAGRIN FALLS, OH. 44023  
PH ( 440 ) 543-2393 FAX ( 440 )543-2397  
[www.qubeinc.com](http://www.qubeinc.com)  
Email: [steve@qubeinc.com](mailto:steve@qubeinc.com)



### About us

Qube corporation manufacturers standard and custom computer and kiosk enclosures using industrial grade ABS plastic. We also manufacture printer enclosures .A full line of PVC electrical enclosures is also available

The company is located in Chagrin Falls OH, an eastern suburb of Cleveland OH.

### Our Advantage

Our process allows for easy dimensional changes and customization at low volumes with short lead times. Our products offer substantial savings when compared to stainless steel.

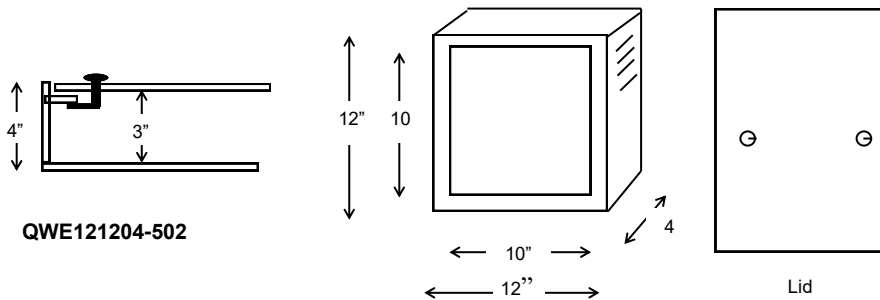
WIRELESS ROUTER ENCLOSURES	Page 2
COMPUTER CONSOLES	Page 3
WALL MOUNT COMPUTER ENCLOSURE	Page 4
CPU ENCLOSURES	Page 5
KIOSK	Page 6

Qube wireless enclosures provide security for wireless access points. Plastic allows signal transmission. Indoor model is manufactured using .250" thick Black ABS . A Latched outdoor version, with rain resistant vent is made using .250" thick white UV stabilized Polyethylene . Both units are locking, with all locks being keyed the same.

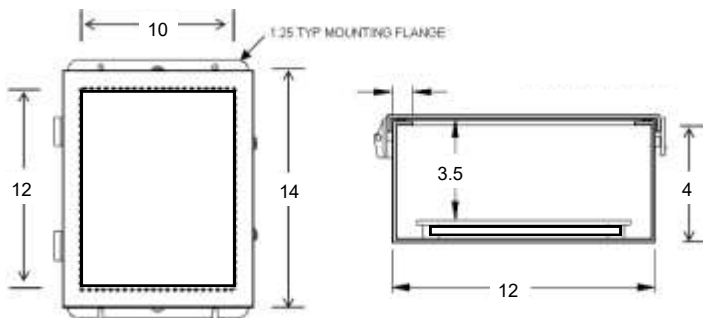
### CUSTOMIZATION

Any dimension can be changed. Other customization options include heated enclosures , enclosures with fans, internal mounting plates , and specific cutouts for external antennas. Heated enclosures are also available

PART #	Description
QWE121204-502	Black ABS, Indoor wall mount
QWE141204-401	White HDPE, Outdoor wall mount



QWE121204-502



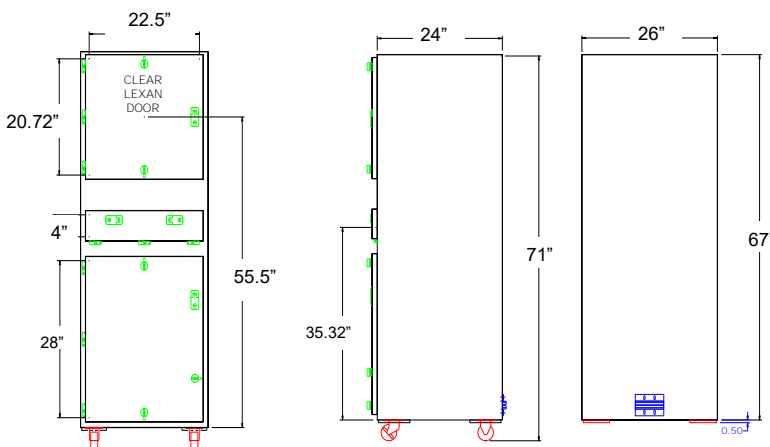
QWE141204-401



# CN CONSOLE NEMA 12 /NEMA 4X COMPUTER CONSOLES

Computer Consoles which provide Nema 12 protection with an Internal Locking Pull-Out Keyboard tray. Fan and filter kit is INCLUDED Unit comes with either skid plates or casters , PLEASE SPECIFY when ordering. The CN1500 is the same as the CN1200, but with out the Fan/filter which provides Nema 4X (washdown) protection. Black ABS plastic is corrosion resistant and provides a significant savings option when compared to stainless steel.

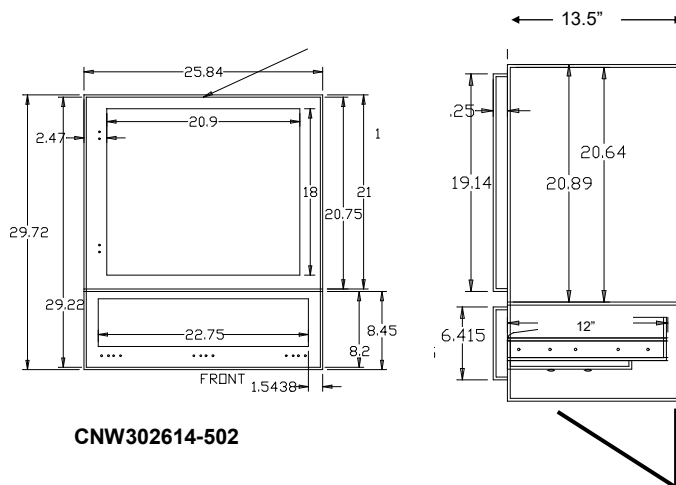
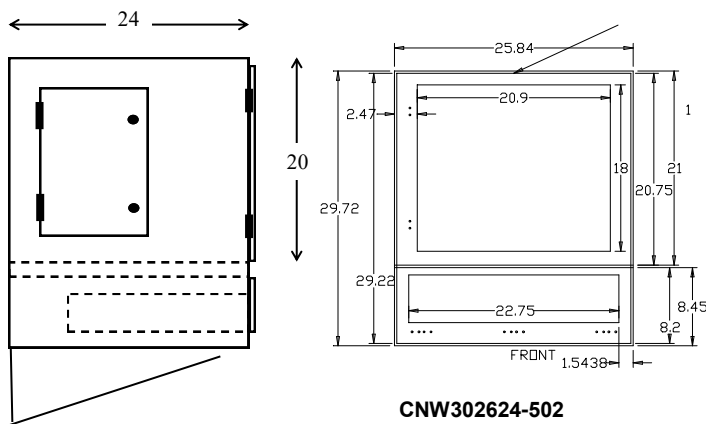
ITEM #	COLOR / MATERIAL
CN1200-502	BLACK ABS Nema 12
CN1500-502	BLACK ABS Nema 4X



**CN1200 / 1500-502**

Qube wall mount computer monitor enclosures provide nema 12 and 4X protection for monitors and have pull out keyboard trays. They can accommodate all in one computers. The mounting brackets are detachable, so units could be table top or pedestal mounted.

ITEM #	COLOR / MATERIAL
<b>CNW302624-502</b>	BLACK ABS Nema 4X
<b>CNW302614</b>	BLACK ABS Nema 4X

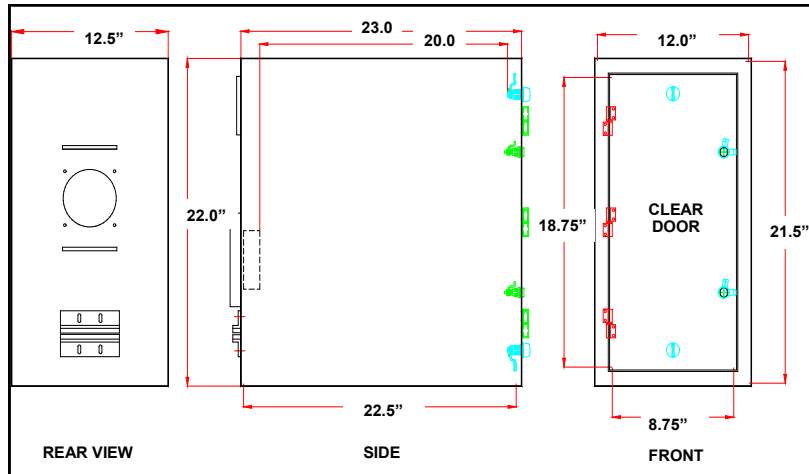


# CN490 CN500 BLACK ABS CPU ENCLOSURES

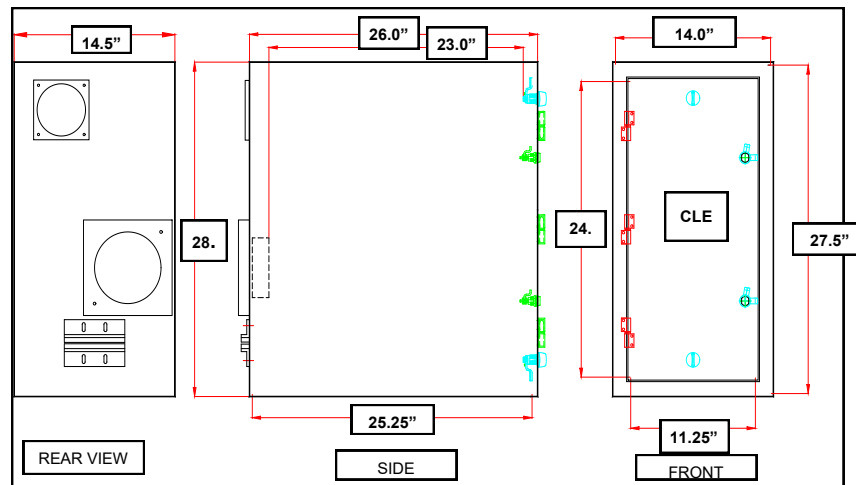
Nema 12 CPU only enclosure. A Nema 4X version for washdown is available as a CN550. Flush locking door is Clear Polycarbonate. Enclosure material is .250" thick black abs plastic



Part #	COLOR	Overall Dimensions			Fits CPU Up To		
		H	W	D	H	W	D
CN490 - 502	BLACK	21.5"	12.5"	23"	17"	8.5"	19"
CN500 - 502	BLACK	27.5"	14"	26"	23"	10"	22"



CN490

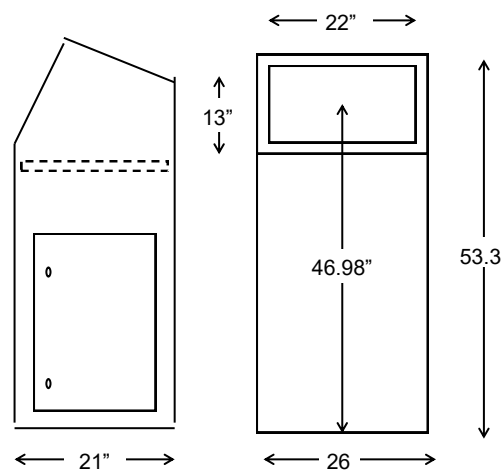


CN500

## KIOSK ABS PLASTIC KIOSK ENCLOSURE

Custom designed kiosk enclosures for interactive applications and industrial touch screen installations. All kiosk projects are based on customer specific hardware. Qube only manufactures enclosures for these applications. We can customize the enclosure based on the equipment being integrated. Examples include printers, card readers, keyboards, and scanners.

Our advantage is that our process allows quick development in small quantities.



Typical Dimensions, which can be changed. Doors, can be on the front back or side



Examples of Industrial Kiosks