



16744 WEST PARK CIRCLE DRIVE
CHAGRIN FALLS, OH. 44023
PH (440) 543-2393 FAX (440) 543-2397
www.qubeinc.com
steve@qubeinc.com

PVC Nema 4X Electrical Enclosures

Custom Plastic Enclosures

2019





16744 WEST PARK CIRCLE DRIVE
CHAGRIN FALLS, OH. 44023
PH (440) 543-2393 FAX (440)543-2397
www.qubeinc.com
Email: steve@qubeinc.com



About us

Qube corporation manufacturers PVC enclosures that meet Nema 4X standards. In addition to typical sizes, we have manufactured hundreds of sizes and custom products. Our manufacturing process allows us to produce small quantities with quick turn around.

In addition to electrical enclosure products, our offerings have expanded over the years to include computer enclosures, printer enclosures, and various oem equipment housings.

We are located in Chagrin Falls OH, an eastern suburb of Cleveland OH.

Our Advantage

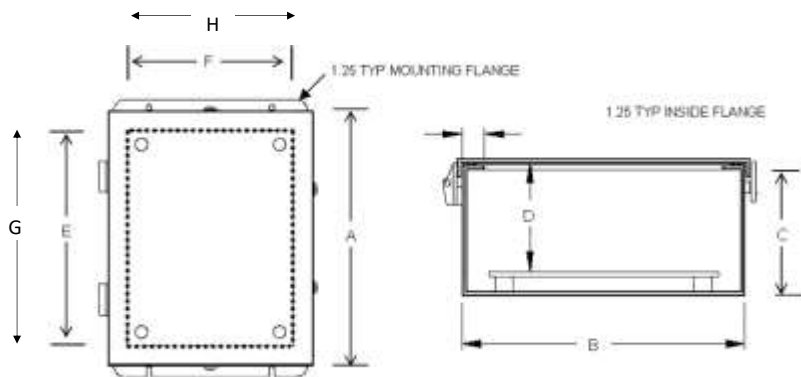
We specialize in larger enclosures which while they may be available in other materials, are often not stocked. Our process allows for easy dimensional changes and customization. Typically, our products offer savings over available fiberglass, and substantial savings when compared to stainless steel. We also produce products such as trough and wireway that are difficult to find.

Nema 4X PVC Hinged Cover Enclosures	Page 3
Nema 4X PVC Screw Cover JUNCTION	Page 6
Nema 4X Screw and Latched Cover Trough	Page 7
Nema 4X Screw Cover Wireway	Page 9
Nema 4X Double Door Wall Mount	Page 10
Nema 4X Double Door Free Standing	Page 11
Nema 4X Custom Consoles	Page 12
Custom Consoles	Page 13
Standard Terms	Page 13

HC PVC NEMA 4X HINGED COVER ENCLOSURES

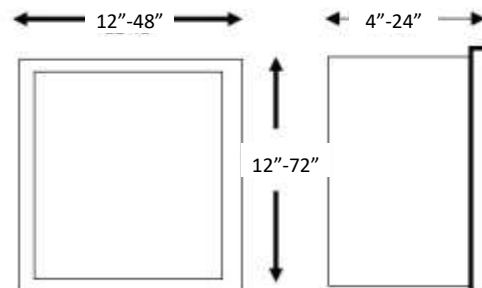
Qube PVC Hinge covers provide 4X protection in applications where water and corrosion is an issue. Other applications include enclosing panelboards, pump control, and wastewater treatment. PVC allows WiFi transmission so HC products are used to protect routers and other WiFi devices.

All Qube Hinge covers include a PVC back panel and integral mounting flanges.



TYPICAL SIZES

CAT NUMBER STD HINGE COVER	CAT NUMBER WELDED IN WINDOW	PANEL				WINDOW			
		A	B	C	D	E	F	G	H
HC121206	HCW121206	12	12	6.5	6	10	11	9	9
HC181806	HCW181806	18	18	7.2	8	15	15	15	15
HC181808	HCW181808	18	18	9.2	8	15	15	15	15
HC181812	HCW181812	18	18	9.2	8	15	15	15	15
HC201606	HCW201606	20	16	7.2	6	17	13	17	13
HC242006	HCW242006	24	20	7.2	6	21	17	21	17
HC242008	HCW242008	24	20	9.2	8	21	17	21	17
HC242406	HCW242406	24	24	7.2	6	21	21	21	21
HC242408	HCW242408	24	24	9.2	8	21	21	21	21
HC242410	HCW242410	24	24	11.2	10	21	21	21	21
HC242412	HCW242412	24	24	13.2	12	21	21	21	21
HC303010	HCW303010	30	30	11.2	10	27	27	27	27
HC362408	HCW362408	36	24	9.2	8	33	21	33	21
HC362412	HCW362412	36	24	13.2	12	33	21	33	21
HC363612	HCW363612	36	36	13.2	12	33	33	33	33
HC483612	HCW483612	48	36	13.2	12	45	33	45	33
HC603612	HCW603612	60	36	13.2	12	57	33	57	33
HC723612	HCW723612	72	36	13.2	20	69	33	69	33



CUSTOM SIZES

Our manufacturing process allows any size in qty's of 1 unit within the shown maximum dimensions in short lead times.



HC CUSTOMIZATION OPTION EXAMPLES

The Qube manufacturing process allows us to create products specific to need. Modification is part of the process rather than a secondary operation. Our part number and system allows 100 % duplication of the product at anytime after initial manufacture. Shown are some examples of the modifications we make.

Swing out panels and custom size windows



Holes and Cut outs



Secondary access Doors



Dividers



Floor mount options



Vents and Fans



1/4 turn and other latching options



PLC and other interface device cutouts



Enclose existing Dock panel boards



2 enclosures integrated



Rain Guard



SC PVC NEMA 4X SCREW COVER JUNCTION BOXES



Qube PVC Nema 4X screw cover junction boxes provide excellent corrosion resistance and are manufactured using 1/4" thick rigid PVC with welded construction.

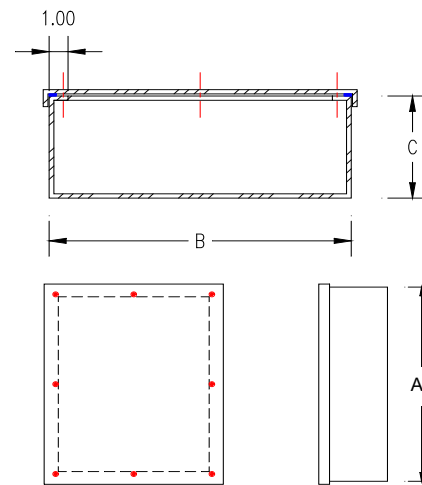
Sizes listed are typical, our manufacturing process allows any size in qty's of 1 unit within maximum dimensions in short lead times.

NOTE:

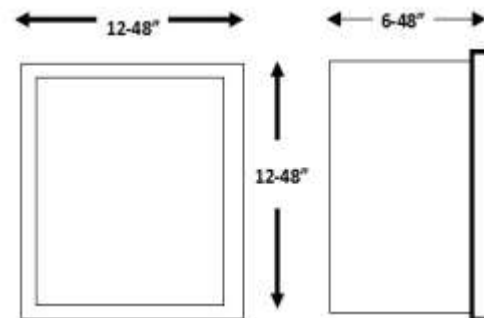
Product is not traffic rated, and not recommended for direct underground burial.

Part #	A	B	C
SC161606	16	16	6
SC161608	16	16	8
SC161610	16	16	10
SC161616	16	16	16
SC161406	16	14	6
SC161408	16	14	8
SC161410	16	14	10
SC181606	18	16	6
SC181608	18	16	8
SC181610	18	16	10
SC181806	18	18	6
SC181808	18	18	8
SC181810	18	18	10
SC181818	18	18	18
SC181824	18	18	24
SC201806	20	18	6
SC201808	20	18	8
SC241808	24	18	8
SC241810	24	18	10

Part #	A	B	C
SC242006	24	20	6
SC242008	24	20	8
SC242010	24	20	10
SC242406	24	24	6
SC242408	24	24	8
SC242410	24	24	10
SC242424	24	24	24
SC302408	30	24	8
SC302410	30	24	10
SC302412	30	24	12
SC362408	36	24	8
SC362412	36	24	12
SC362418	36	24	18
SC363608	36	36	8
SC363616	36	36	16
SC363618	36	36	18
SC363624	36	36	24
SC363636	36	36	36
SC483616	48	36	18



CUSTOM SIZES



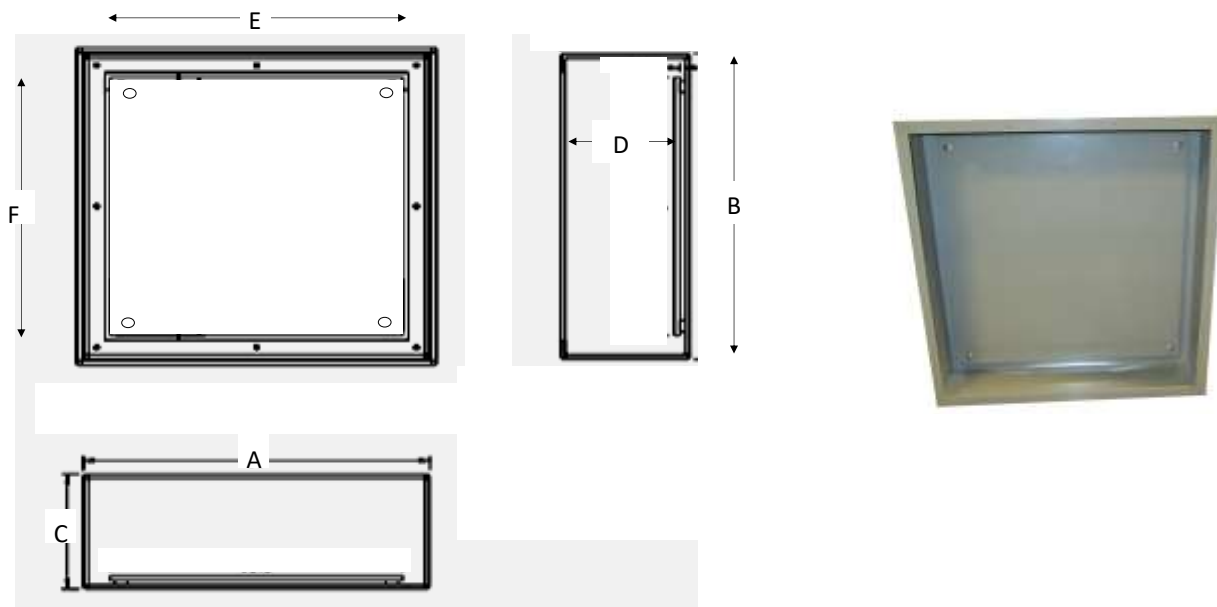
MTGBRK Mounting bracket kit, includes all hardware, field installed. Requires drilling holes



Our manufacturing process allows any size in qty's of 1 unit within maximum dimensions in short lead times.

MSC PVC NEMA 4X SCREW COVER ENCLOSURE W/ BACK PANEL

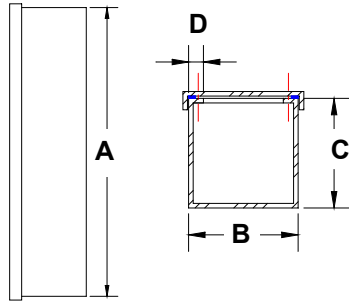
Qube MSC PVC junction boxes include a PVC back panel, and mounting bracket kit.



Catalog Number	A	B	C	D	E	F
MSC161606	16	16	6	5.25	14.5	14.5
MSC161608	16	16	8	7.25	14.5	14.5
MSC161610	16	16	10	9.25	14.5	14.5
MSC161616	16	16	16	15.25	14.5	14.5
MSC161406	16	14	6	5.25	14.5	12.5
MSC161408	16	14	8	7.25	14.5	12.5
MSC161410	16	14	10	9.25	14.5	12.5
MSC181606	18	16	6	5.25	15.5	14.5
MSC181608	18	16	8	7.25	16.5	14.5
MSC181610	18	16	10	9.25	16.5	14.5
MSC181806	18	18	6	5.25	16.5	16.5
MSC181808	18	18	8	7.25	16.5	16.5
MSC181810	18	18	10	9.25	16.5	16.5
MSC181818	18	18	18	17.25	16.5	16.5
MSC181824	18	18	24	23.25	16.5	16.5
MSC201806	20	18	6	5.25	17.5	16.5
MSC201808	20	18	8	7	17.5	16.5
MSC241808	24	18	8	7	21.5	16.5
MSC241810	24	18	10	9	21.5	16.5

Catalog Number	A	B	C	D	E	F
MSC242006	24	20	6	5	21.5	17.5
MSC242008	24	20	8	7	21.5	17.5
MSC242010	24	20	10	9	21.5	17.5
MSC242406	24	24	6	5	21.5	21.5
MSC242408	24	24	8	7	21.5	21.5
MSC242410	24	24	10	9	21.5	21.5
MSC242424	24	24	24	23	21.5	21.5
MSC302408	30	24	8	7	27	21
MSC302410	30	24	10	9	27	21
MSC302412	30	24	12	11	27	21
MSC362408	36	24	8	7	33	21
MSC362412	36	24	12	11	33	21
MSC362418	36	24	18	17	33	21
MSC363608	36	36	8	7	33	33
MSC363616	36	36	16	15	33	33
MSC363618	36	36	18	17	33	33
MSC363624	36	36	24	23	33	33
MSC363636	36	36	36	35	33	33
MSC483616	48	36	18	17	45	33

TR PVC NEMA 4X SCREW COVER TROUGH



TR Screw Cover wiring trough



TRL hinged and latched wiring trough

	Catalog Number SCREW COVER	Catalog Number HINGED AND LATCHED	A	B	C	D
4 x 4	TR040412	TRL040412	12	4	4	0.75
	TR040418	TRL040418	18	4	4	0.75
	TR040424	TRL040424	24	4	4	0.75
	TR040436	TRL040436	36	4	4	0.75
	TR040448	TRL040448	48	4	4	0.75
	TR040460	TRL040460	60	4	4	0.75
	TR040472	TRL040472	72	4	4	0.75
6 x 6	TR060612	TRL060612	12	4	4	0.75
	TR060618	TRL060618	18	4	4	0.75
	TR060624	TRL060624	24	4	4	0.75
	TR060636	TRL060636	36	4	4	0.75
	TR060648	TRL060648	48	4	4	0.75
	TR060660	TRL060660	60	4	4	0.75
	TR060672	TRL060672	72	4	4	0.75
8 x 8	TR080812	TRL080812	12	8	8	0.75
	TR080818	TRL080818	18	8	8	0.75
	TR080824	TRL080824	24	8	8	0.75
	TR080836	TRL080836	36	8	8	0.75
	TR080848	TRL080848	48	8	8	0.75
	TR080860	TRL080860	60	8	8	0.75
	TR080872	TRL080872	72	8	8	0.75
12 x 12	TR121218	TRL121218	18	12	12	1
	TR121224	TRL121224	24	12	12	1
	TR121236	TRL121236	36	12	12	1
	TR121248	TRL121248	48	12	12	1
	TR121260	TRL121260	60	12	12	1
	TR121272	TRL121272	72	12	12	1

Qube Nema 4X / 3R wiring trough is designed to protect multiple wiring junctions in wet and corrosive and outdoor environments . manufactured with rigid 1/4" PVC with all welded construction.

Typical applications include car wash and solar installations.

PVC provides a very cost effective alternative to stainless steel.

NOTE:

Product is not traffic rated, and not recommended for direct underground burial.

CUSTOM OPTIONS: Qube non metallic wiring trough can be customized with specific dimensions, holes and cut outs, dividers, and back panels.

CUSTOMIZATION OPTIONS

In addition to dimensional changes, Qube is able to provide several customization options. Some examples include :

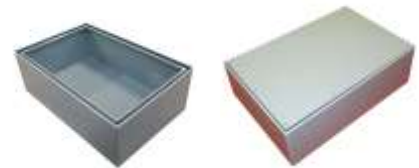
Latched screw cover junction box, with all stainless steel latches



Customer specific holes and cut outs



Inset Flush Lid



Dividers

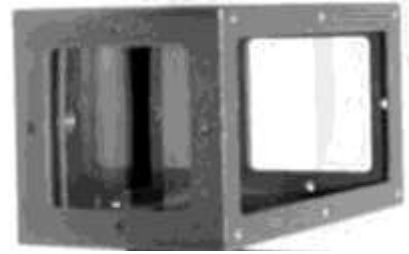


QW PVC NEMA 4X PULL THROUGH WIREWAY

Qube Nema 4X PVC pull thru wireway is manufactured for wash down applications where protection against moisture and corrosion is required. The product offers significant savings when compared to stainless steel.

Sections are designed to bolt together with gasket and stainless hardware.

Note: The design is an internal flange so pull thru is 2" less than OD.

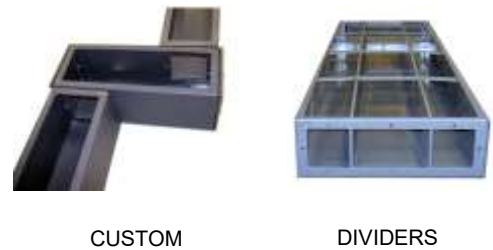


	6X6 PART #	8 X 8 PART #	12 X 12 PART #
12" Section	QW060612	QW080812	QW121212
24" Section	QW060624	QW080824	QW121224
36" Section	QW060636	QW080836	QW121236
48" Section	QW060648	QW080848	QW121248
60" Section	QW060660	QW080860	QW121260
72" Section	QW060672	QW080872	QW121272
96" Section	QW060696	QW080896	QW121296
90 degree coupling	QW9006	QW9008	QW9012
45 degree coupling	QW4506	QW4508	QW4512
END PLATE	QWCP06	QWCP08	QWCP12
PULL THRU OPENING	4" x 4"	6" X 6"	10" x 10"



Custom Options :

Custom product is available . Examples include modified dimensions and internal dividers.



SECTIONS THAT NEED TO VARY FROM STANDARD LENGTHS

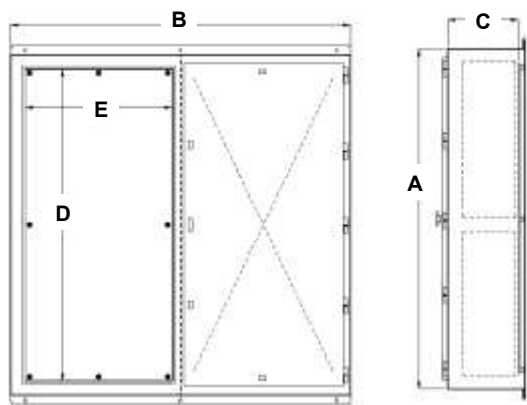
QUBE PVC WIREWAY IS MANUFACTURED TO BE 4X GASKETED INSTALLATION. **THE SECTIONS CANNOT BE CUT TO LENGTH IN THE FIELD.** QUBE CAN MANUFACTURE SECTIONS TO A SPECIFIC LENGTH THAT IS LESS THAN

DDW LARGE PVC NEMA 4X DOUBLE DOOR WALL MOUNT CABINET

Qube Nema 4X PVC large wall mount cabinets come standard with two PVC backpanels. PVC offers excellent corrosion resistance and weather ability. Substantial savings when compared to stainless steel.

All DDW cabinets have a welded in, non removable center support.

Standard Hardware: All DDW cabinets come with Black nylon bullet style lift off hinges, locking lift and turn locking compression handles, and Hex key compression locks.



Catalog Part Number	A	B	C	D	E
DDW304810	33.00	52.00	10.00	27.00	21.00
DDW364812	39.00	52.00	12.00	33.00	21.00
DDW366012	39.00	64.00	12.00	33.00	27.00
DDW484812	51.00	52.00	12.00	45.00	21.00

WE DO NOT OFFER 3 POINT LATCHING SYSTEM

MODIFICATION OPTIONS : Qube is able to modify dimensions on its double door wall mount enclosures. Full clear polycarbonate doors or specific welded in windows are available.



Custom DDW with different size compartments

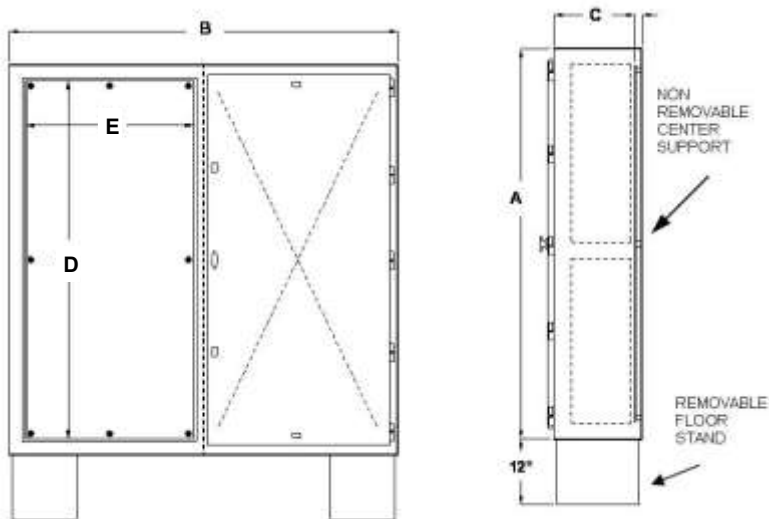


Custom DDW with multiple doors and specific welded in windows.

DDF LARGE PVC NEMA 4X DOUBLE DOOR FREESTANDING CABINET

Qube DDF are large PVC free standing cabinets that are designed with TWO backpanels. PVC offers excellent corrosion resistance and provides substantial savings over stainless steel. All cabinets come standard with two plastic backpanels. Dimensional changes are available. Other options include clear polycarbonate doors, welded in windows, and customer specific holes and cutouts.

WE DO NOT OFFER 3 POINT LATCHING SYSTEM



Full clear polycarbonate doors.

Catalog Part Number	A	B	C	D	E
DDF484812	51.00	52.00	12.00	45.00	21.00
DDF606012	63.00	64.00	12.00	57.00	27.00
DDF727212	75.00	76.00	11.00	69.00	33.00
DDF604824	63.00	52.00	24.00	57.00	21.00
DDF606024	63.00	64.00	24.00	57.00	27.00
DDF727224	75.00	76.00	23.00	69.00	33.00

Sizes shown are typical, custom dimensions are available

Custom Control Consoles

Qube can manufacture custom control consoles to customer specifications. Shown are some examples. Typical applications include pump housings, wastewater treatment, and industrial control in corrosive areas.



Custom Products

Qube has done hundreds of custom projects over the years. Our process allows for small runs that are economical when compared to alternatives. Shown are a few examples.



STANDARD TERMS

VERBAL ORDERS ARE NOT ACCEPTED : Because of the number of sizes and details involved, we require that all orders be confirmed in writing prior to manufacture. This is typically done via FAX OR EMAIL

CREDIT TERMS Qube's terms are **2% 10 Net 30** Credit must be established prior to shipment, and prior to programming of custom and dimensionally changed product. We also accept **Master Card , Visa, and American Express**

FREIGHT CHARGES : are prepaid and added on most shipments. Customer specified carriers may be shipped collect.

UPS SHIPMENTS: Please be aware that Qube will ship certain sizes UPS based on customer request and cost. In many cases, UPS adds a **DIMENSIONAL WEIGHT** charge in excess of normal zone / weight costs. These costs are added to the shipment freight charges.

OVERNIGHT AIR: **All expedited shipments require a third party billing (such as customers UPS or Federal Express number)**. UPS has certain dimensional limits, FED EX will accept larger freight. For certain large enclosures, overnight air is not available. All expedited freight requires a written authorization from the customer.

FREIGHT DAMAGE : Unfortunately, freight damage is common in the shipment of enclosures. Qube makes every attempt to package it's products accordingly.. **PLEASE INSPECT FREIGHT PRIOR TO ACCEPTING** .If concealed damage occurs, please retain the damaged product, and notify Qube for instruction. Often a lid or other part can simply be replaced.

LEAD TIMES: **QUBE DOES NOT STOCK ANY PRODUCT**. Our manufacturing process allows dimensional changes and the ability to manufacture enclosure sizes not commonly available. Most HC,SC,and TR products ship within 5 *working* days or less. Large cabinets generally ship in 10-15 *working* days or less. CN computer enclosures generally ship in 5-7 working days. Most initial custom orders are shipped in 20 working days or less.

PRODUCT RETURNS : Custom and dimensionally changed products **may not** be returned. Standard products may be returned as in salable condition. and the return request is made within 30 days of product shipment. On multiple unit custom orders we recommend that 1 unit be produced prior to manufacturing the entire order. A 20% restocking charge applies to returns

COUNTRY OF ORIGIN : All Qube products are produced in Chagrin Falls OH, USA

LIMITED WARRANTY

Qube Corporation warrants product to be manufactured as specified, and free from defects in material and workmanship. No representation or other affirmation of facts, including but not limited to statements regarding capacity, suitability for use or performance, shall be deemed to be a warranty or representation of Qube Corporation for any purpose.

MADE IN THE USA

