



16744 WEST PARK CIRCLE DRIVE
CHAGRIN FALLS, OH. 44023
PH (440) 543-2393 FAX (440) 543-2397
www.qubeinc.com
steve@qubeinc.com

800 747 8381

PRINTER ENCLOSURES





16744 WEST PARK CIRCLE DRIVE
CHAGRIN FALLS, OH. 44023
PH (440) 543-2393 FAX (440)543-2397
www.qubeinc.com
Email: steve@qubeinc.com



2019

About us

Qube corporation manufacturers standard and custom printer enclosures using industrial grade ABS plastic. We also manufacture Computer consoles and Kiosks .A full line of PVC electrical enclosures is also available

The company is located in Chagrin Falls OH, an eastern suburb of Cleveland OH.

Our Advantage

Our process allows for easy dimensional changes and customization at low volumes with short lead times. Our products offer substantial savings when compared to stainless steel.

BAR CODE PRINTER ENCLOSURES TO PROTECT AGAINST DUST AND DIRT	Page 2
BAR CODE PRINTER ENCLOSURES FOR WASHDOWN PROTECTION	Page 3
BAR CODE PRINTER ENCLOSURES WITH HEATER	Page 4
CUSTOMIZATION Options	Page 5
LASER PRINTER ENCLOSURES	Page 6
SMALL THERMAL PRINTER ENCLOSURES	Page 7

MADE IN THE USA



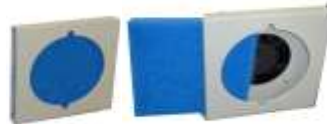
Bar Code Printer enclosures provide a positive air pressure environment. The product is manufactured using 1/4" thick ABS plastic. Keeping dust and dirt out prolongs the life of the print head and reduces costly downtime.

The standard base cabinet accommodates most Zebra, Datamax, Intermec, Sato, and Printronix printers.

Each base cabinet includes a label exit door that is configured to the specific printer. This allows the best printer protection.

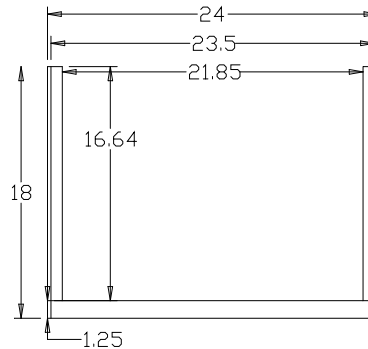
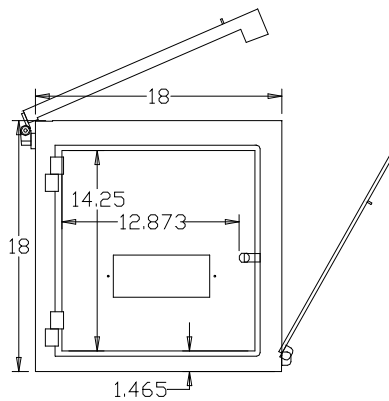
If security is an issue, an available Keyed lock option is available for all doors.

There are many printer enclosure customization options available. See the printer enclosure customization page.



Removable Filter

PART #	DESCRIPTION
QBC182418-502	Printer Cabinet
QBCDOOR-####	Printer specific door <i>Example: QBCDOOR-ZM600 for a Zebra ZM600 printer</i>



Wash down Bar Code Printer enclosures provide protection against spraying water and cleaning agents. The printer enclosure is completely gasketed with compression hardware. A secondary label exit door is closed when washdown is required.

The printer enclosure is manufactured using 1/4" thick ABS plastic. These printer enclosures offer significant savings over stainless steel enclosures. The standard base cabinet accommodates most Zebra, Datamax, Intermec, Sato, and Printronix printers.

Each base cabinet includes a gasketed label exit door with an insert that is configured to the specific printer. This allows the best printer protection.

There are many printer enclosure customization options available, see the printer enclosure customization page.



Gasketed door for Washdown

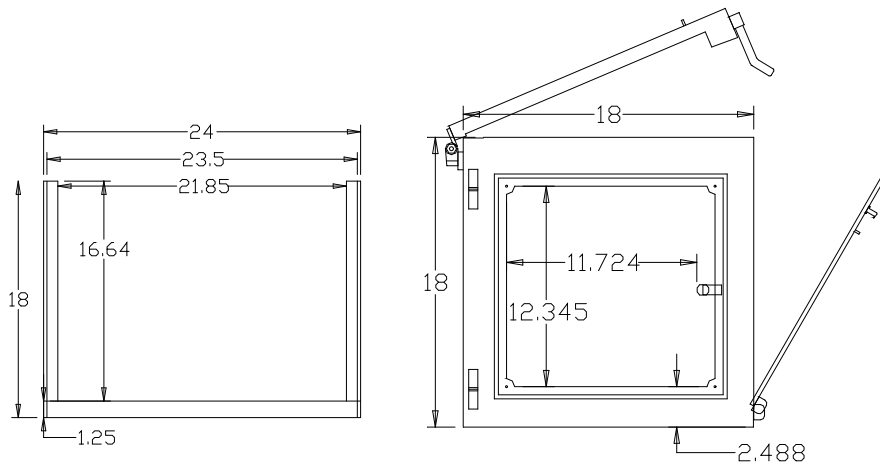


Specific Printer insert

PART #	DESCRIPTION
QBCW182418-502	4X Printer Cabinet
QBCWINSERT-####	Printer specific door <i>Example: QBCINSERT-ZM600 for a Zebra ZM600 printer</i>



Cord Cover



QBCH BAR CODE PRINTER ENCLOSURES WITH HEATER

Heated Bar Code Printer enclosures allow printers to function in cold environments. The printer enclosure is completely gasketed with compression hardware. A secondary insulated label exit door is closed when the printer is not operating

The printer enclosure is manufactured using 1/4" thick ABS plastic. There is 5" Low temp polyethylene foam rubber insulation installed, along with a 200w Hoffman heater installed on a metal panel.

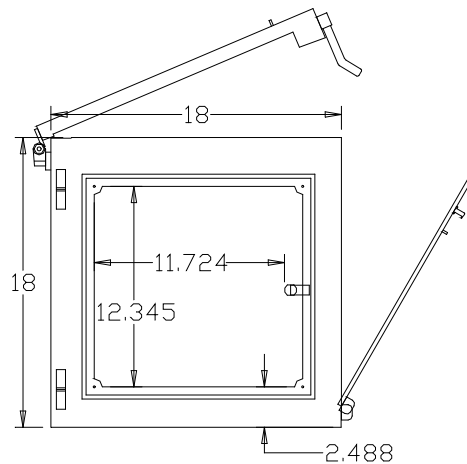
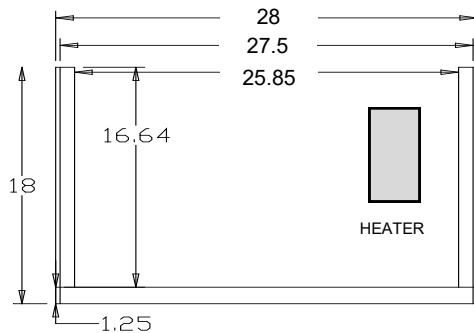
The standard base cabinet accommodates most Zebra, Datamax, Intermec, Sato, and Printronix printers.

Each base cabinet includes a gasketed label exit door with an insert that is configured to the specific printer. This allows the best printer protection

There are many printer enclosure customization options available, See the printer enclosure customization page.



PART #	DESCRIPTION
QBCH182818-502	4X Printer Cabinet
QBCHINSERT-####	Printer specific Insert <i>Example: QBCHINSERT-ZM600 for a Zebra ZM600 printer</i>
STGHTR	Stego fixed thermostat 250 watt heater on steel panel



CUSTOMIZATION BAR CODE PRINTER ENCLOSURES

Qube can customize bar code printer enclosures to meet customer specific requirements.

Different materials, specific dimensions, and various designs are examples.



FAN FOLD LABEL COMPARTMENT



LABEL CATCH TRAYS



WINDOWS



INTEGRATED PRINTER /
COMPUTER CONSOLE



MULTIPLE PRINTERS



CABINETS



CLEAR POLYCARBONATE DOORS



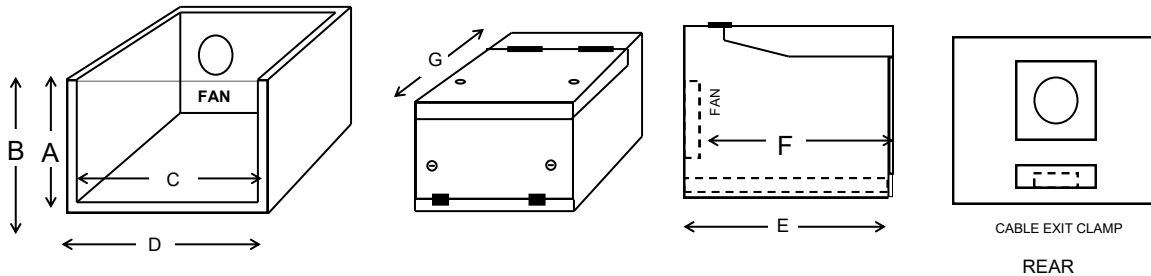
PULL OUT SHELVES

Qube Laser Printer enclosures provide a positive air pressure environment. The product is manufactured using 1/4" thick ABS plastic. Several standard sizes are available, along with dimensional changes available to accommodate most printer sizes.

If security is an issue Qube offers a Keyed lock option on all door, often used to secure check printing and confidential documents.

For office environments where noise is an issue, an acoustical foam option significantly reduces printer noise.

There are many printer enclosure customization options available, Laser enclosures for outdoor applications are available in white UV stabilized material.



PRINTER HT RANGE	QUBE PART #	A	B	C	D	E	F	G
9" to 12"	QLP151924-502	13"	14.5"	19"	22"	24"	22.5"	14"
13" to 16"	QLP201924-502	18"	19.5"	19"	22"	24"	22.5"	14"
17" to 18"	QLP221924-502	19"	22"	19"	22"	24"	22.5"	14"
19" to 25"	SPECIFIC QUOTE							



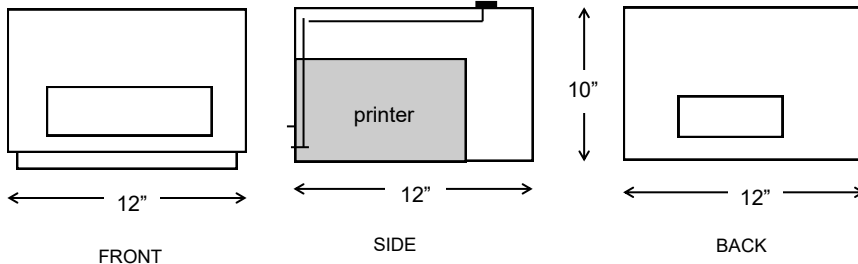
Examples of wall mount, large laser printer enclosures, and customization

Qube enclosures for small thermal printers can be made in several configurations. Common sizes are for label to exit thru a slot in the front., and for washdown or complete security, for the label to accumulate in a longer enclosure..

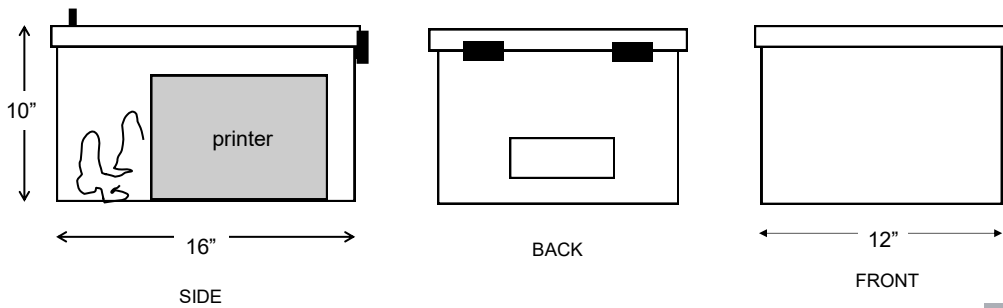
Options include different sizes, UV stabilized white HDPE for outdoor applications, and wall mounted units.



PART #	DESCRIPTION
QTP121212-502	Label exit thru slot in front
QTP101216-502	Label exit rolls up inside



QTP121212-502



QTP101216-502

